

Platea Pro

Design Jean-Michel
Wilmotte

iGuzzini

Last information update: December 2024

Product configuration: ED62

ED62: Platea Pro



Product code

ED62: Platea Pro

Technical description

Outdoor luminaire with a Wide Flood optic, designed to use LED RGBW lamps. Consists of an optical assembly with a base and an aluminium alloy frame. The painting stage consists of a primer and a liquid acrylic paint, cured at 150 °C, with a high level of weather and UV ray resistance. 5 mm thick colourless transparent tempered sodium-calcium closing glass. Product can be tilted on the vertical plane by +5°/-90° with a 10° step graduated scale and fitted with mechanical blocks that guarantee stable light beam aiming. Horizontal aiming can be adjusted using the slots on which the base is provided with a ±30° adjustment option. High visual comfort. High yield, homogenous light distribution polymer optic lenses. Circuit complete with single chip RGBW LEDs (Red Green Blue and White LEDs) and a DMX512-RDM electronic check driver. Removable control gear connected with quick-coupling connectors. 220-240V ac 50/60Hz electronic ballast. Replaceable control gear. All the screws used are made of A2 stainless steel.

Installation

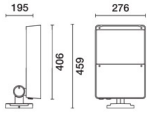
The luminaire can be installed on the wall or floor using a standard base. .

Colour

White (01) | Black (04) | Grey (15) | Rust Brown (F5)

Weight (Kg)

8.55



Wiring

Luminaire ready for pass-through wiring. Product perfect watertightness at the power cable entry point is guaranteed by 2 x M24x1,5 nickel-plated brass cable glands suitable for cables with a max external ø14mm (cross-section from 1.5mm²). Push in terminal board.

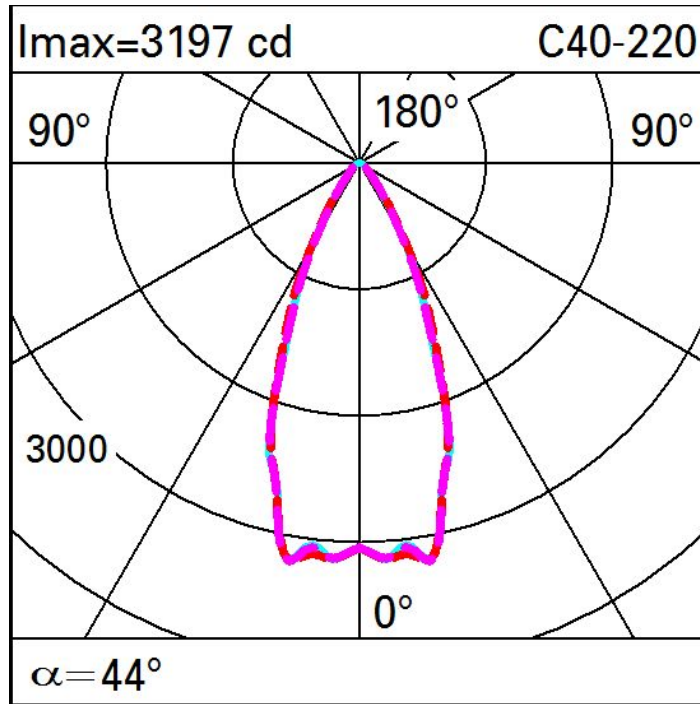
Complies with EN60598-1 and pertinent regulations



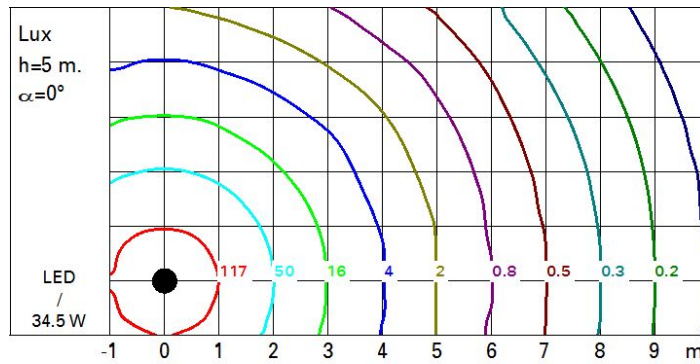
Technical data

lm system:	1999	Life Time LED 1:	100,000h - L80 - B10 (Ta 25°C)
W system:	34.5	Life Time LED 2:	100,000h - L80 - B10 (Ta 40°C)
lm source:	2940	Voltage [Vin]:	230
W source:	28	Lamp code:	LED
Luminous efficiency (lm/W, real value):	57.9	Number of lamps for optical assembly:	1
lm in emergency mode:	-	ZVEI Code:	LED
Total light flux at or above an angle of 90° [Lm]:	0	Number of optical assemblies:	1
Light Output Ratio (L.O.R.) [%]:	68	Intervallo temperatura ambiente:	from -30°C to 50°C.
Beam angle [°]:	44°	Power factor:	See installation instructions
CRI (typical):	82	Inrush current:	40 A / - µs
Colour temperature [K]:	RGBW - 4000K	Control:	DMX-RDM

Polar



Isolux



Illuminances

Lux		Wall distance = 1m											
3													
		0.1	0.3	0.9	4	12	20	12	4	0.9	0.3	0.1	
2		0.7	2	4	11	26	37	26	11	4	2	0.7	
		1	3	6	16	39	67	39	16	6	3	1	
1		2	3	7	23	61	95	61	23	7	3	2	
		2	4	11	30	61	84	61	30	11	4	2	
0													
	m	-2	-1	0	1	2	3						