

Last information update: October 2024

Product configuration: P591

P591: 5 - cell Recessed luminaire - LED - Warm white - Spot optic



Product code

P591: 5 - cell Recessed luminaire - LED - Warm white - Spot optic

Technical description

rectangular miniaturised recessed luminaire with 5 optical elements with LED lamps - fixed optics - spot beam angle. Main body with die-cast aluminium radiant surface, version with perimeter surface frame. Metallised thermoplastic high definition optics, integrated in a rear position in the black anti-glare screen; the structure of the optical system prevents a pinpoint effect, allowing precise, circular light distribution and emission with controlled glare .Warm white high colour rendering LED.

Installation

recessed with steel wire springs for false ceilings from 1 to 25 mm thick - preparation hole 37 x 141

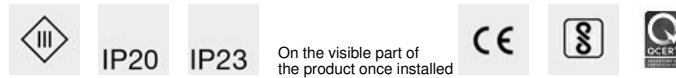
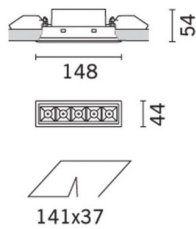
Colour

White (01) | Black / Black (43) | Black / White (47)

Mounting

wall recessed|ceiling recessed

Complies with EN60598-1 and pertinent regulations

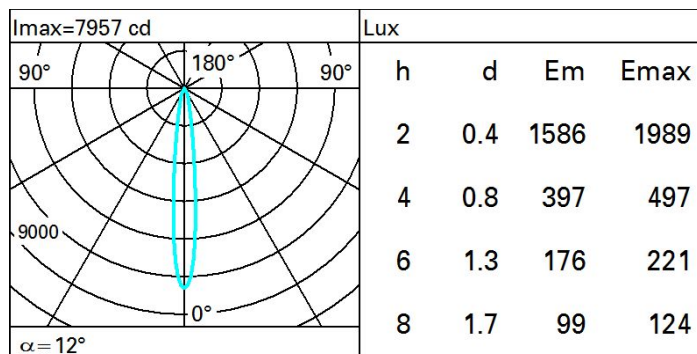


On the visible part of the product once installed

Technical data

lm system:	735	CRI (typical):	97
W system:	10	Colour temperature [K]:	3000
lm source:	930	MacAdam Step:	3
W source:	10	Life Time LED 1:	50,000h - L90 - B10 (Ta 25°C)
Luminous efficiency (lm/W, real value):	73.5	Lamp code:	LED
lm in emergency mode:	-	Number of lamps for optical assembly:	1
Total light flux at or above an angle of 90° [Lm]:	0	ZVEI Code:	LED
Light Output Ratio (L.O.R.) [%]:	79	Number of optical assemblies:	1
Beam angle [°]:	12°	LED current [mA]:	700
CRI (minimum):	95		

Polar



Utilisation factors

R	77	75	73	71	55	53	33	00	DRR
K0.8	71	68	65	63	67	65	64	62	78
1.0	75	71	69	67	71	68	68	66	83
1.5	78	76	74	72	75	73	72	70	89
2.0	81	79	77	76	78	76	76	73	93
2.5	82	81	80	79	80	79	78	76	96
3.0	83	82	81	81	81	80	79	77	98
4.0	84	83	83	82	82	82	80	79	99
5.0	84	84	84	83	83	82	81	79	100

Luminance curve limit

