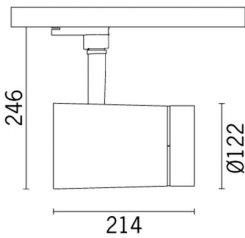


Last information update: October 2024

Product configuration: P226

P226: neutral white medium body spotlight - DALI ballast- flood optic



Product code

P226: neutral white medium body spotlight - DALI ballast- flood optic

Technical description

Adjustable spotlight with adapter for installation on DALI track for high output LED lamp with monochrome emission in a Neutral White (4000K) tone. DALI ballast integrated in the product. Luminaire made of die-cast aluminium and thermoplastic material, allows 360° rotation about the vertical axis and 90° tilting relative to the horizontal plane. The luminaire has mechanical aiming locks for both movements, operated using the same tool on two screws, one at the side of the rod and one on the adapter for the track. Passive heat dissipation. Reflector in superpure mirrored aluminium with special faceting that improves the distribution of the light beam (OPTIBEAM). Spotlight can hold up to two flat accessories at the same time. Another external component can also be applied, selected from directional flaps and an anti-glare screen. All external accessories rotate 360° about the spotlight longitudinal axis.

Installation

On a DALI electrified track

Colour

White (01) | Black (04)

Weight (Kg)

2.1

Mounting

dali track|wall surface|ceiling surface

Wiring

DALI components housed in the luminaire

Sistemi di controllo compatibili:

- Quick BLE - Bluetooth Low Energy [↗](#)
- Quick DALI - Touch display 7" [↗](#)
- Quick DALI LMS Quick [↗](#)
- Master Pro Evo KNX [↗](#)

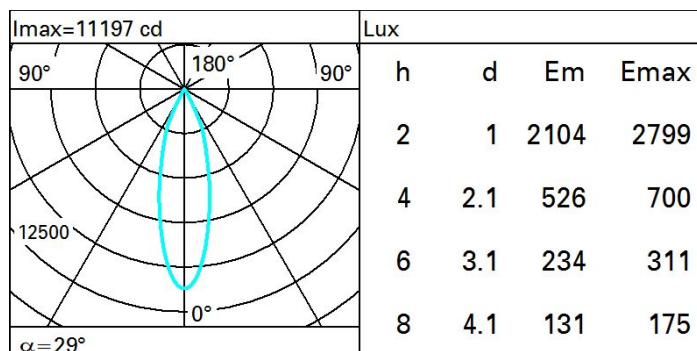
Complies with EN60598-1 and pertinent regulations



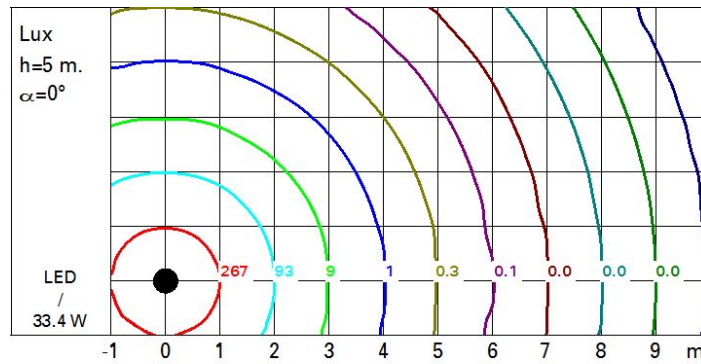
Technical data

lm system:	3354	Life Time LED 1:	> 50,000h - L90 - B10 (Ta 25°C)
W system:	33.4	Lamp code:	LED
lm source:	4300	Number of lamps for optical assembly:	1
W source:	29	ZVEI Code:	LED
Luminous efficiency (lm/W, real value):	100.4	Number of optical assemblies:	1
lm in emergency mode:	-	Power factor:	See installation instructions
Total light flux at or above an angle of 90° [Lm]:	0	Inrush current:	30 A / 200 µs
Light Output Ratio (L.O.R.) [%]:	78	Maximum number of luminaires of this type per miniature circuit breaker:	B10A: 12 luminaires B16A: 20 luminaires C10A: 20 luminaires C16A: 34 luminaires
Beam angle [°]:	30°	Minimum dimming %:	1
CRI (minimum):	80	Overvoltage protection:	2kV Common mode & 2kV Differential mode
Colour temperature [K]:	4000	Control:	DALI-2
MacAdam Step:	2		

Polar



Isolux



UGR diagram

Corrected UGR values (at 4300 lm bare lamp luminous flux)											
Reflect.:		viewed crosswise					viewed endwise				
ceiling	cav	0.70	0.70	0.50	0.50	0.30	0.70	0.70	0.50	0.50	0.30
walls		0.50	0.30	0.50	0.30	0.30	0.50	0.30	0.50	0.30	0.30
work pl.		0.20	0.20	0.20	0.20	0.20	0.20	0.20	0.20	0.20	0.20
Room dim		viewed crosswise					viewed endwise				
x	y										
2H	2H	7.0	7.5	7.2	7.7	8.0	7.0	7.5	7.2	7.7	8.0
	3H	6.9	7.4	7.2	7.6	7.9	6.9	7.3	7.2	7.6	7.9
	4H	6.8	7.3	7.1	7.5	7.8	6.8	7.2	7.1	7.5	7.8
	6H	6.7	7.1	7.1	7.5	7.8	6.7	7.1	7.1	7.4	7.8
	8H	6.7	7.1	7.0	7.4	7.7	6.7	7.1	7.0	7.4	7.7
	12H	6.6	7.0	7.0	7.4	7.7	6.6	7.0	7.0	7.4	7.7
4H	2H	6.8	7.2	7.1	7.5	7.8	6.8	7.3	7.1	7.5	7.8
	3H	6.7	7.1	7.0	7.4	7.7	6.7	7.1	7.0	7.4	7.7
	4H	6.6	6.9	7.0	7.3	7.7	6.6	6.9	7.0	7.3	7.7
	6H	6.5	6.8	6.9	7.2	7.6	6.5	6.8	6.9	7.2	7.6
	8H	6.5	6.7	6.9	7.1	7.6	6.5	6.7	6.9	7.1	7.6
	12H	6.4	6.7	6.9	7.1	7.5	6.4	6.7	6.9	7.1	7.5
8H	4H	6.5	6.7	6.9	7.1	7.6	6.5	6.7	6.9	7.1	7.6
	6H	6.4	6.6	6.8	7.0	7.5	6.4	6.6	6.8	7.0	7.5
	8H	6.3	6.5	6.8	7.0	7.5	6.3	6.5	6.8	7.0	7.5
	12H	6.3	6.4	6.8	6.9	7.4	6.3	6.4	6.8	6.9	7.4
12H	4H	6.4	6.7	6.9	7.1	7.5	6.4	6.7	6.9	7.1	7.5
	6H	6.3	6.5	6.8	7.0	7.5	6.3	6.5	6.8	7.0	7.5
	8H	6.3	6.4	6.8	6.9	7.4	6.3	6.4	6.8	6.9	7.4
Variations with the observer position at spacing:											
S =	1.0H	5.8 / -9.5					5.8 / -9.5				
	1.5H	8.6 / -11.8					8.6 / -11.8				
	2.0H	10.6 / -13.0					10.6 / -13.0				