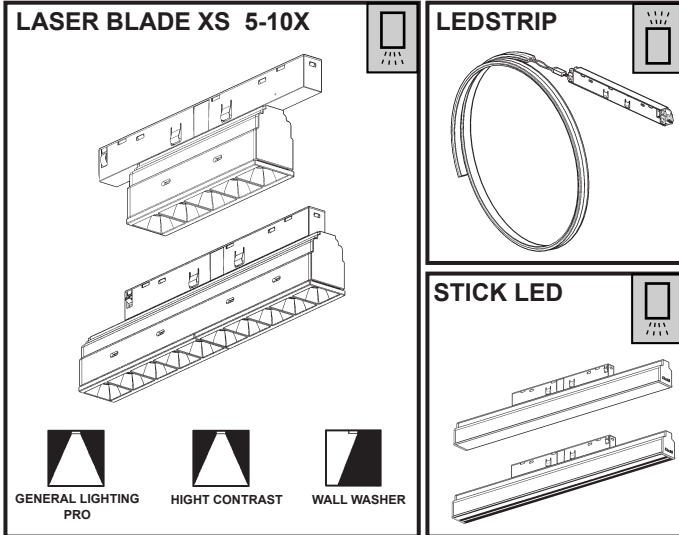


OVERVIEW PRODUCTS SUPERRAIL

FOR USE WITH SUPERRAIL TRACK SYSTEM ONLY

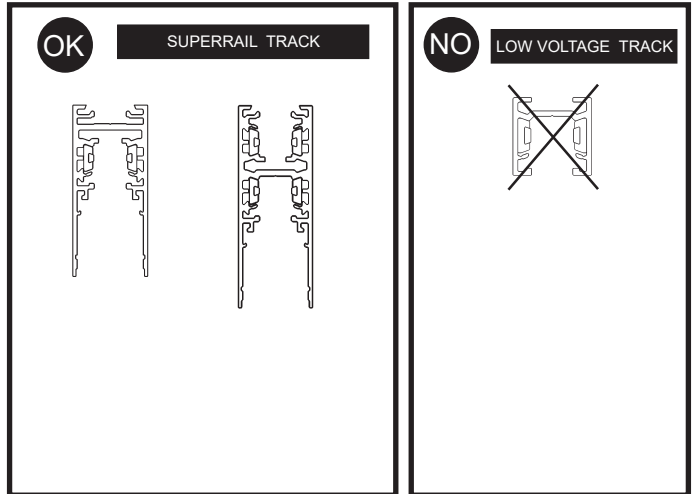


IT N.B.: DURANTE L'INSTALLAZIONE DEL SISTEMA RISPETTARE SCRUPolosAMENTE LE NORME IMPIANTISTICHE VIGENTI.

EN N.B.: WHEN INSTALLING THE SYSTEM, STRICTLY COMPLY WITH ALL REGULATIONS ON INSTALLATION IN FORCE.

FR N.B.: LORS DE L'INSTALLATION DU SYSTÈME VEUILLEZ RESPECTER RIGOUREUSEMENT LES NORMES EN VIGUEUR EN LA MATIÈRE.

ES N.B.: DURANTE LA INSTALACIÓN DEL SISTEMA RESPETAR E SCRUPolosAMENTE LAS NORMAS DE INSTALACIÓN VIGENTES.



IT Il funzionamento dei prodotti è garantito solo con l'utilizzo di binari ed accessori iGuzzini

EN Correct product operation is only guaranteed if iGuzzini tracks and accessories are used.

FR Le fonctionnement des produits n'est garanti qu'en cas d'utilisation de rails et accessoires iGuzzini

ES El funcionamiento de los productos se garantiza solamente si se utilizan railes y accesorios iGuzzini.

IT ATTENZIONE:

LA SICUREZZA DELL'APPARECCHIO E' GARANTITA SOLO CON L'USO APPROPRIATO DELLE SEGUENTI ISTRUZIONI; PERTANTO E' NECESSARIO CONSERVARLE.

EN WARNING:

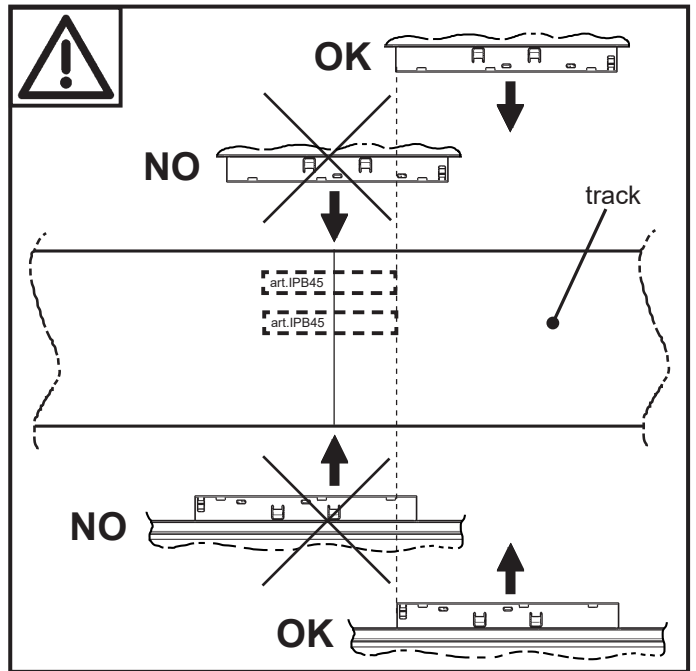
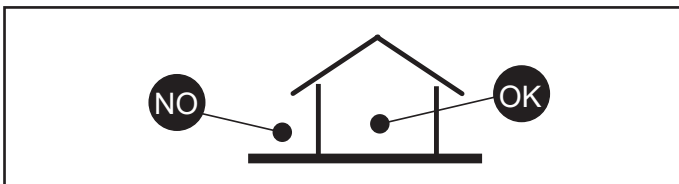
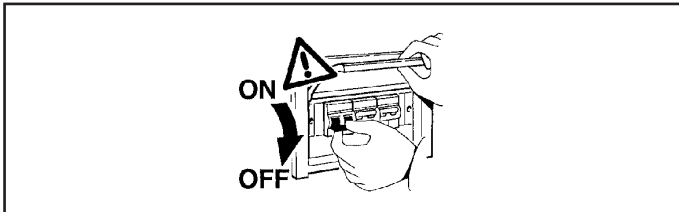
THE SAFETY OF THIS FIXTURE IS GUARANTEED ONLY IF YOU COMPLY WITH THESE INSTRUCTIONS; REMEMBER TO CONSERVE IN A SAFE PLACE.

FR ATTENTION:

LA SECURITE DE L'APPAREIL N'EST GARANTIE QU'EN CAS D'UTILISATION CORRECTE DES INSTRUCTIONS SUIVANTES; IL FAUT PAR CONSEQUENT LES CONSERVER.

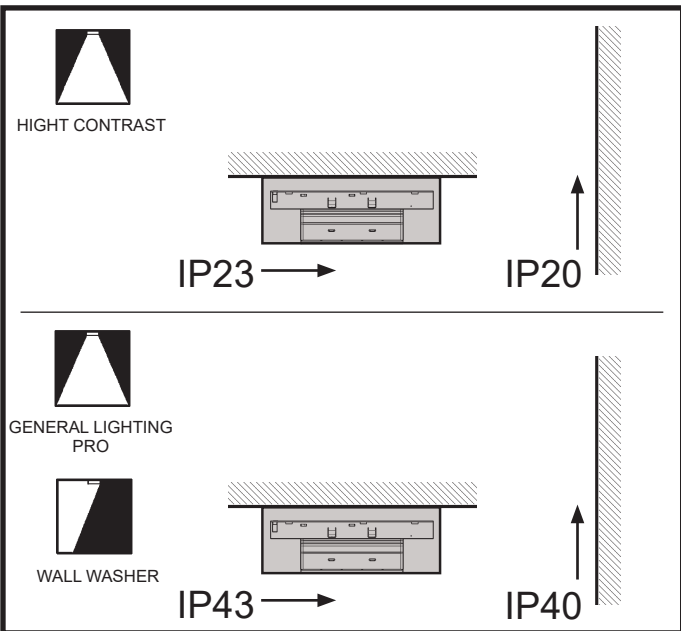
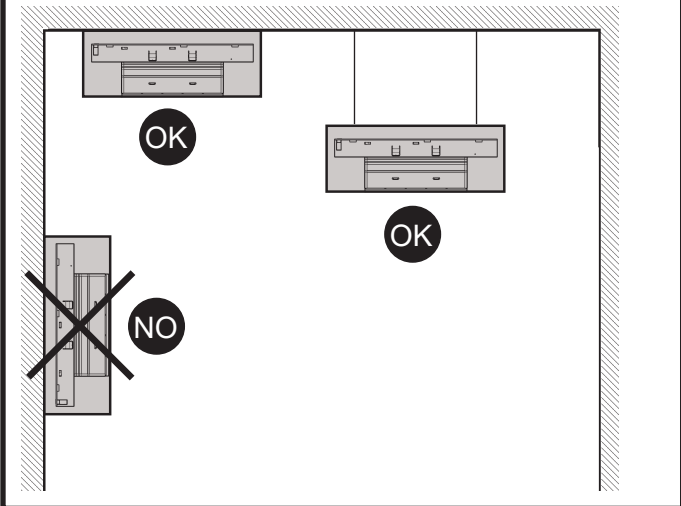
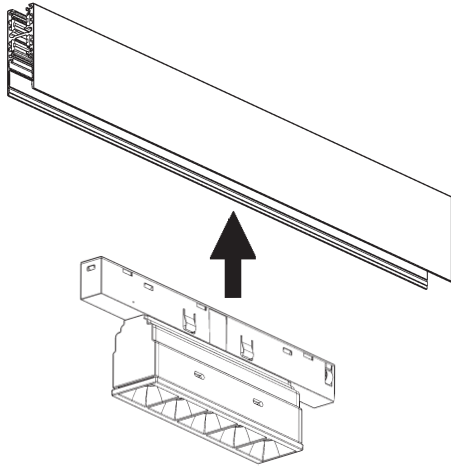
ES ATENCION:

LA SEGURIDAD DEL APARATO SE GARANTIZA SOLO CUMPLIENDO CUIDADOSAMENTE LAS SIGUIENTES INSTRUCCIONES; POR ELLO, ES NECESARIO CONSERVARLAS.



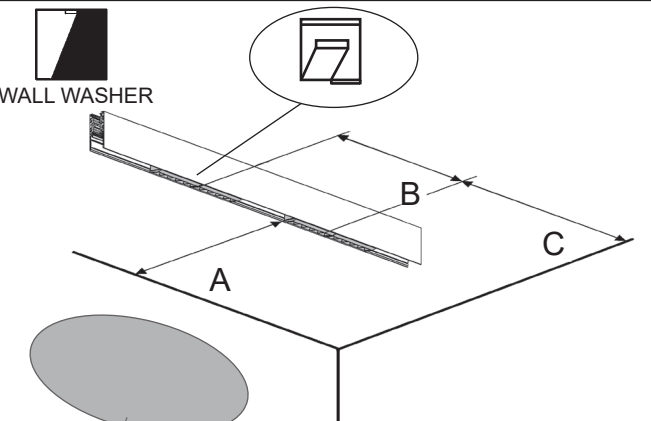
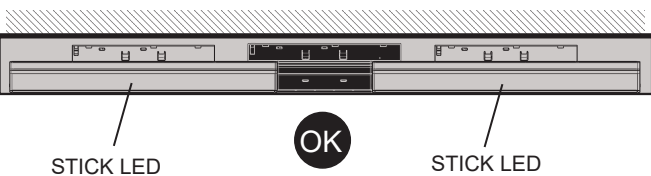
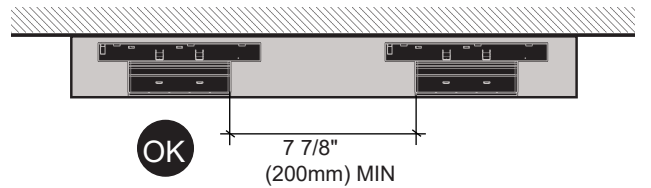
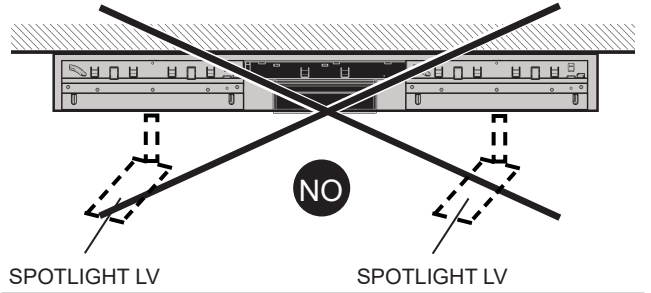
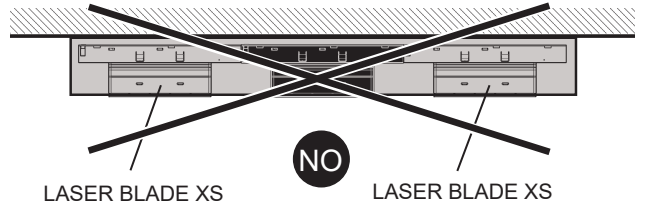
IT Posizioni d'installazione diverse da quelle indicate non sono consentite.
 EN Installation positions different to those indicated are not allowed.
 FR Aucune autre position d'installation que celles indiquées n'est permise.
 ES No se permiten posiciones de instalación diferentes de las indicadas.

LASER BLADE XS 5-10X



LASER BLADE XS WL

ILBXS05-SR-T-XXX-WL-XX - ILBXS10-SR-T-XXX-WL-XX
 QZ17 - QZ18 - RG59 - QZ19 - QZ20 - QZ21 - RG60 - QZ22



DIREZIONE DA ILLUMINARE
 DIRECTION OF LIGHT
 DIRECTION A ECLAIRER

ARTICLE	SUGGESTED		
	A	B	C
	in	in	in
	(mm)	(mm)	(mm)
ILBXS05-SR-T-XXX-WL-XX			
ILBXS10-SR-T-XXX-WL-XX			
QZ17 - QZ18	39"	39"	20"
QZ19 - QZ20	(1000)	(1000)	(500)
QZ21 - QZ22			

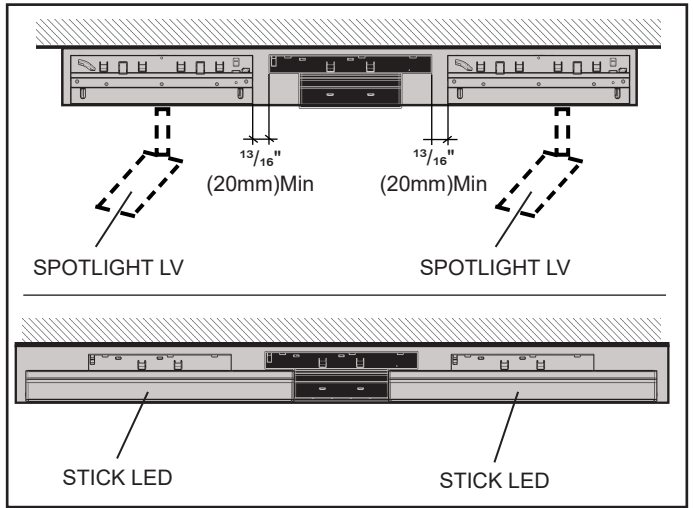
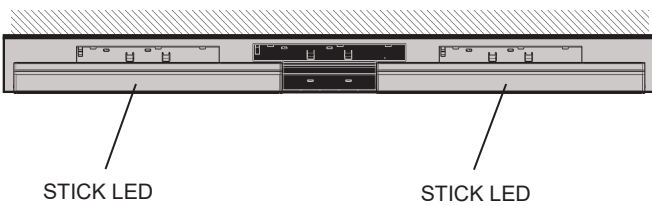
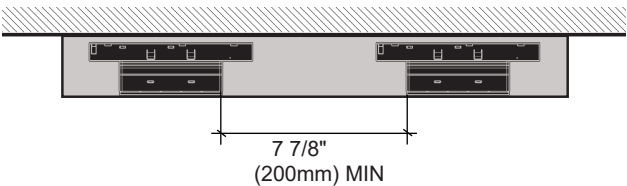
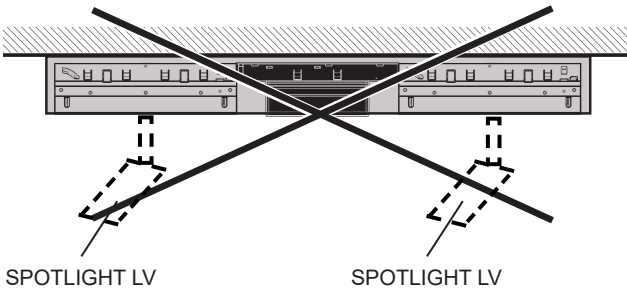
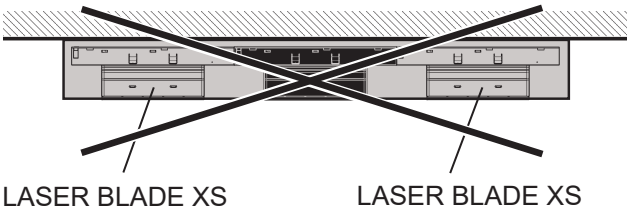
LASER BLADE XS HC FL, GP

LASER BLADE XS HC FL

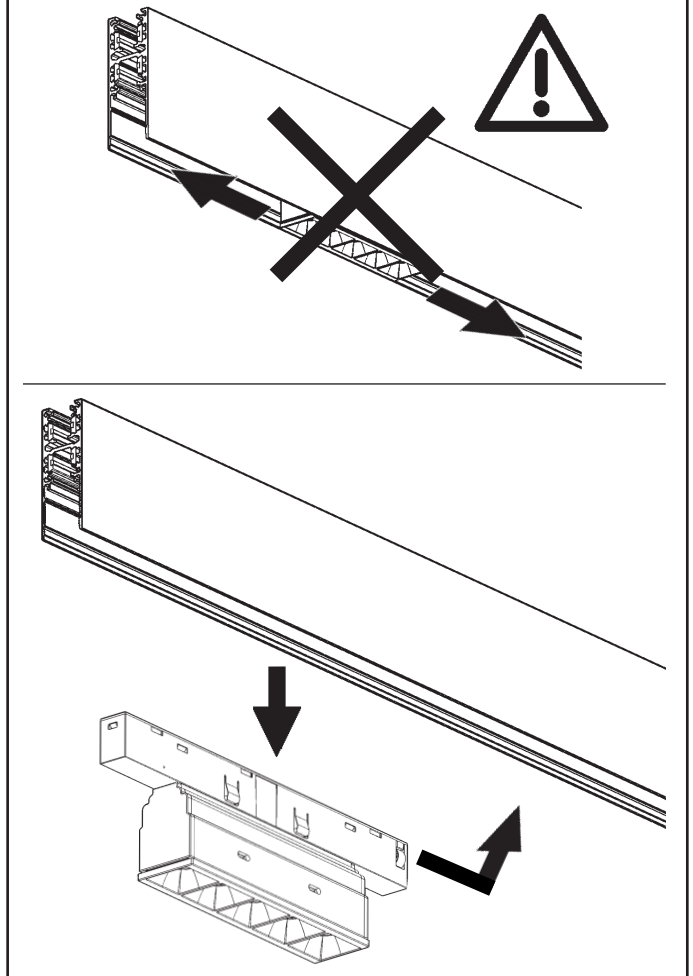
ILBXS05-SR-T-XX-XXX-FL-XX - ILBXS10-SR-T-XX-XXX-FL-XX
 QZ11 - QZ12 - QZ13 - QZ14 - QZ15 - QZ16 - RG55 - RG66

LASER BLADE XS GP

ILBXS05-SR-T-HO-XXX-FL-XX - ILBXS10-SR-T-HO-XXX-FL-XX
 QZ23 - QZ24 - QZ25 - QZ26 - QZ27 - QZ28 - RG61 - RG62

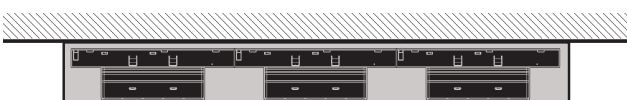


CHANGE POSITION

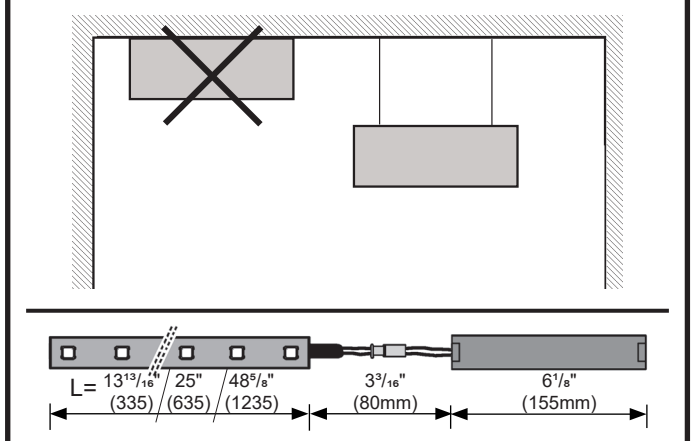


CONTINUOUS LASER BLADE XS HC FOR CONTINUOUS ROW

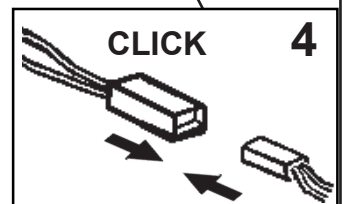
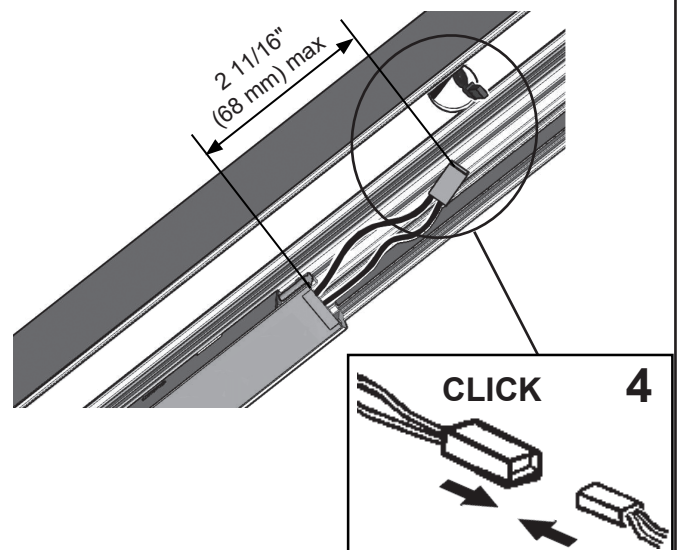
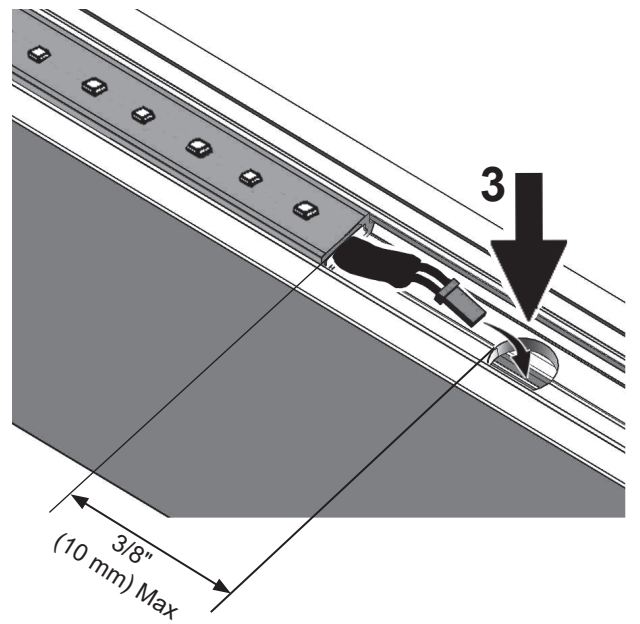
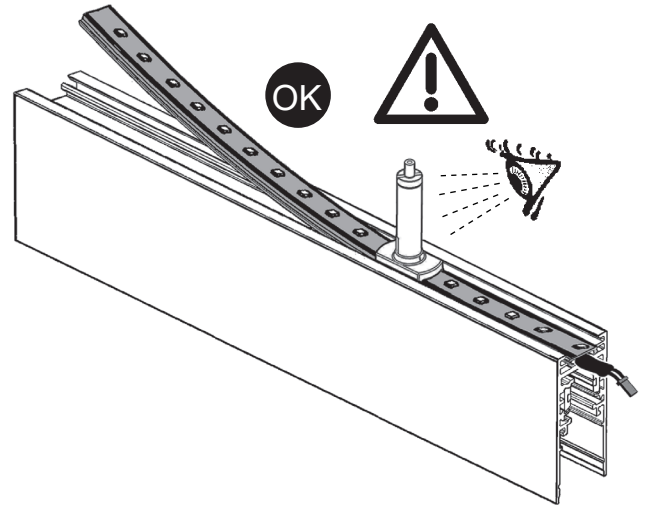
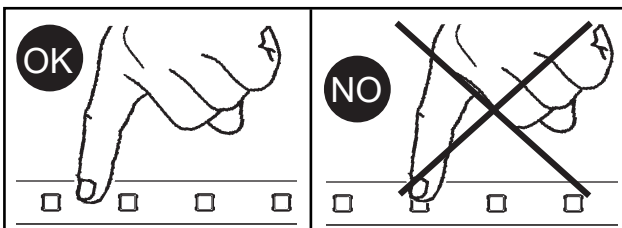
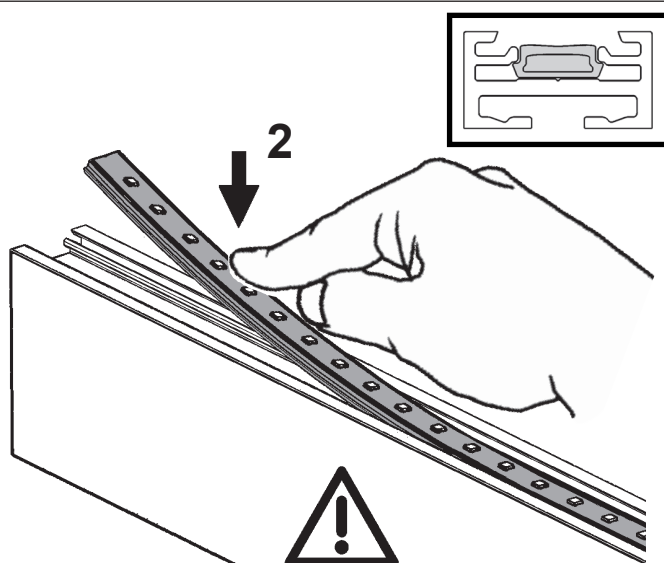
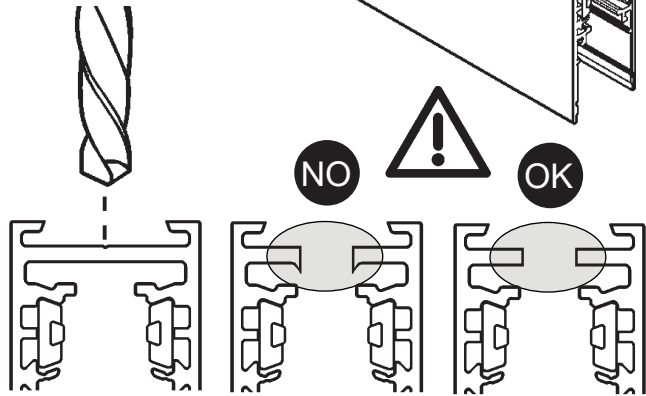
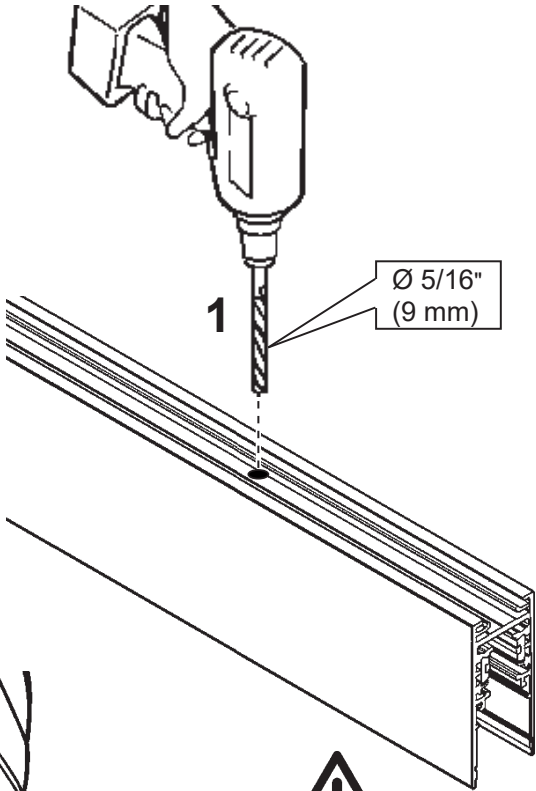
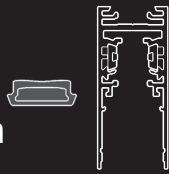
ILBXS05-SR-T-BO-XXX-FL-XX - ILBXS10-SR-T-BO-XXX-FL-XX
 R650 - R651 - R652 - R653 - R654 - R655 - RG57 - RG58

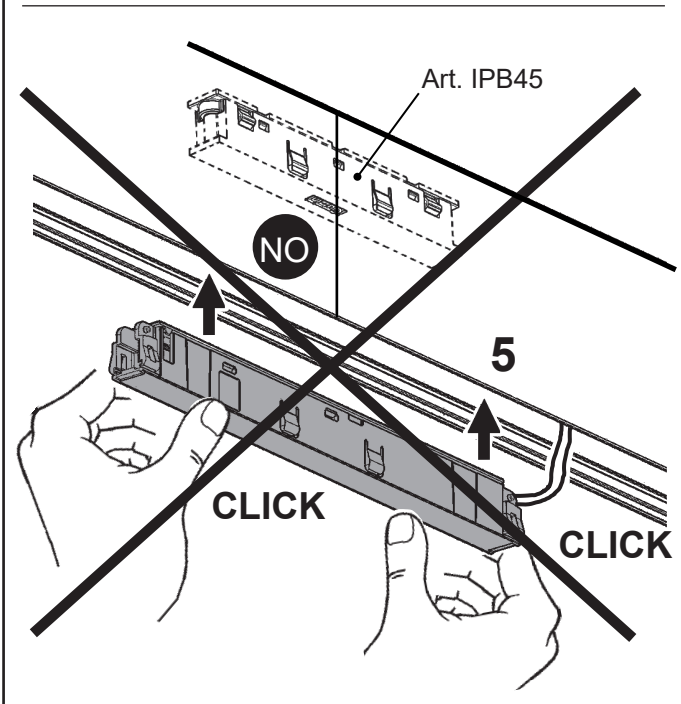
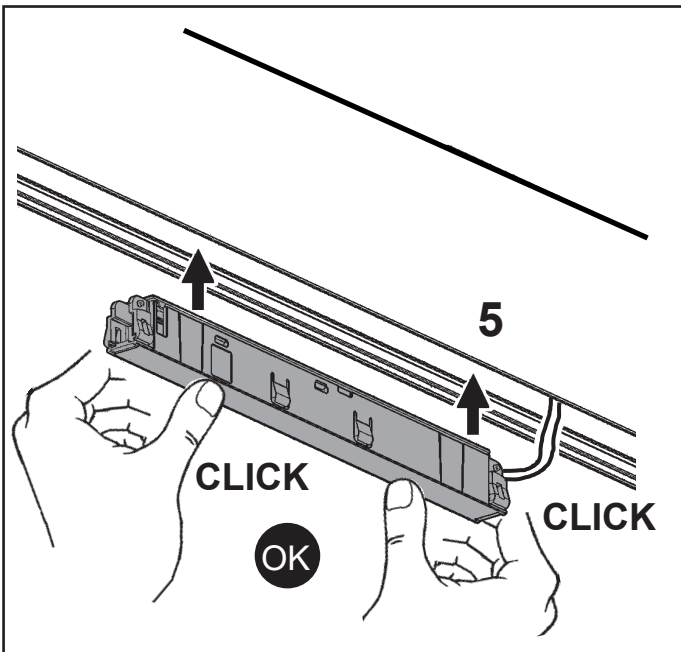


LEDSTRIP

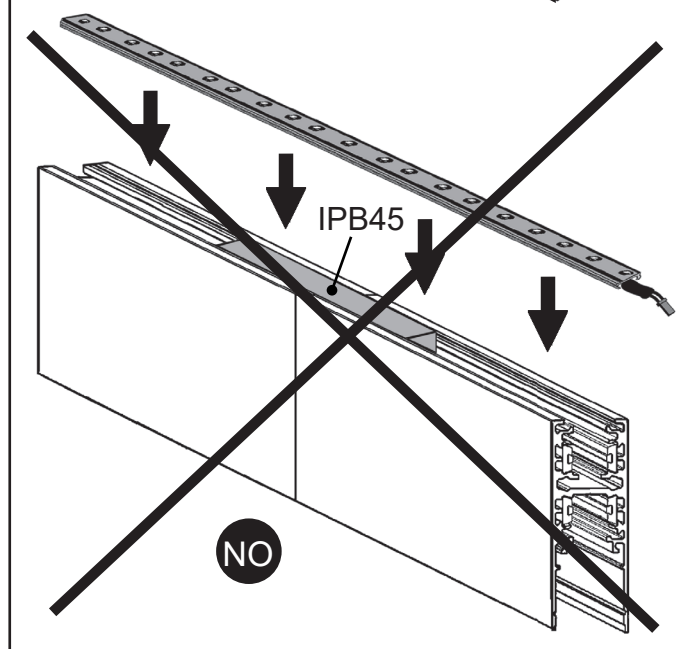
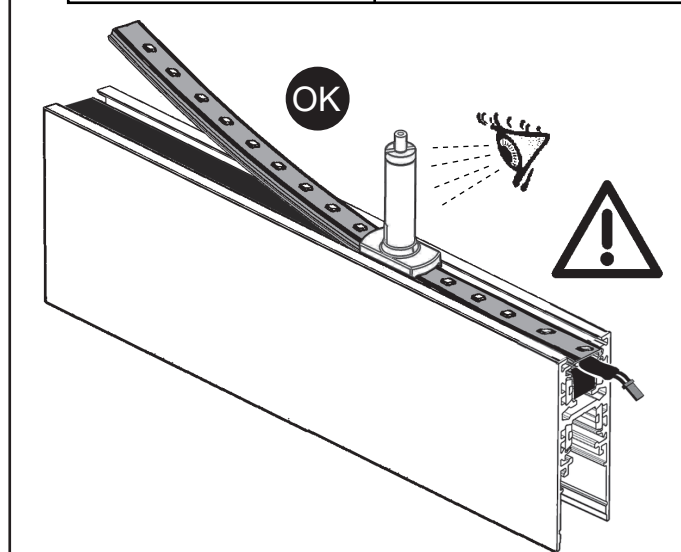
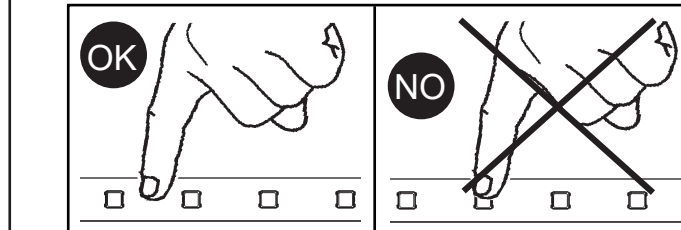
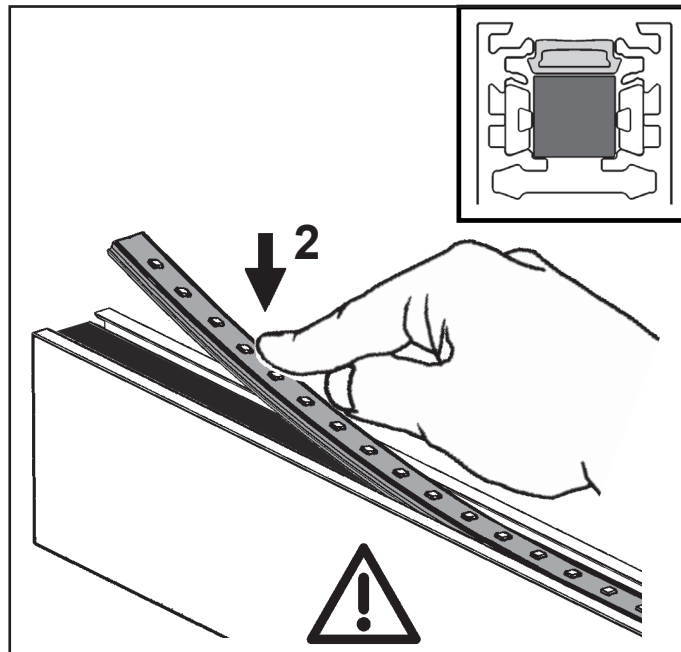
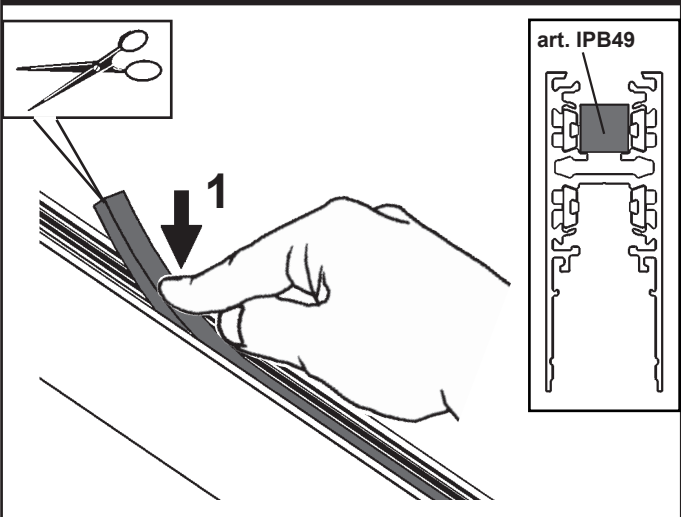


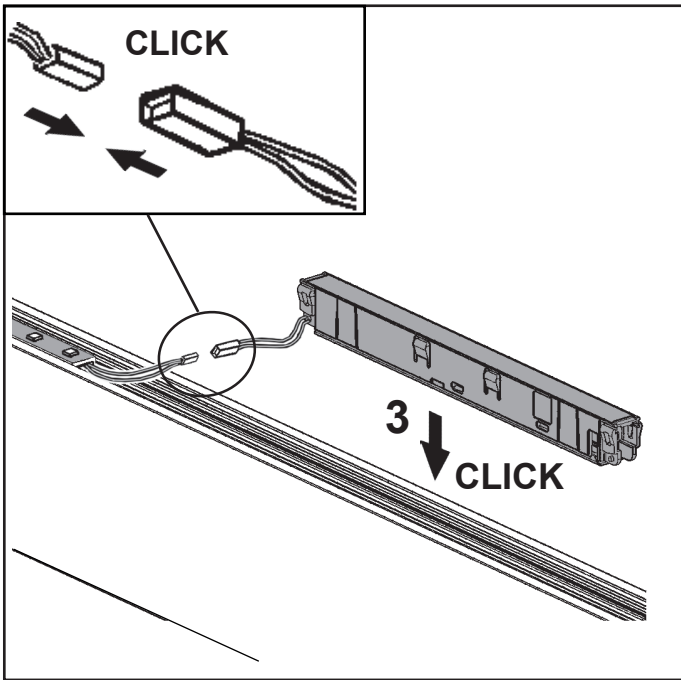
LEDSTRIP Superrail Track Down Suspension



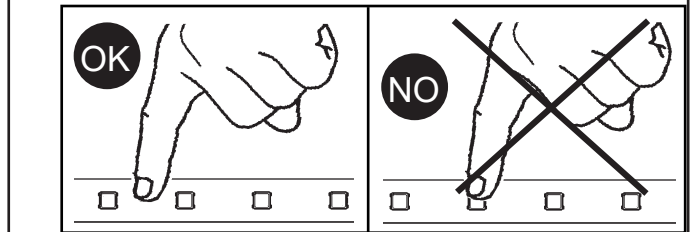
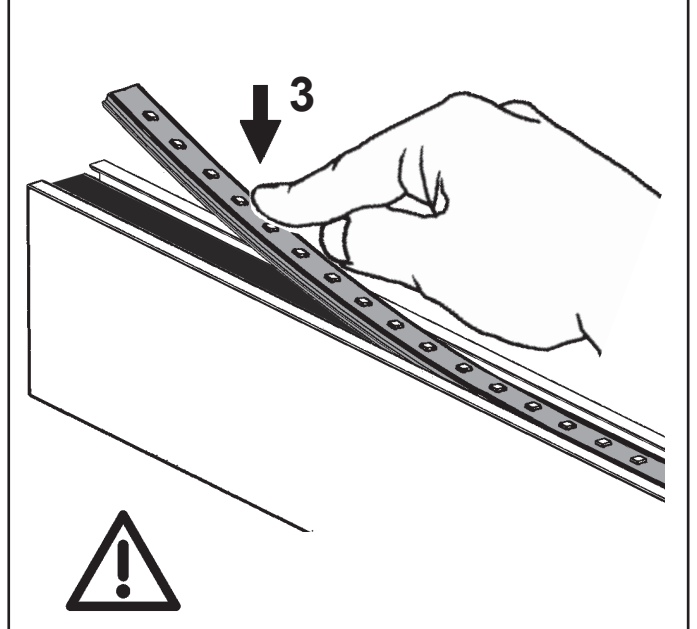
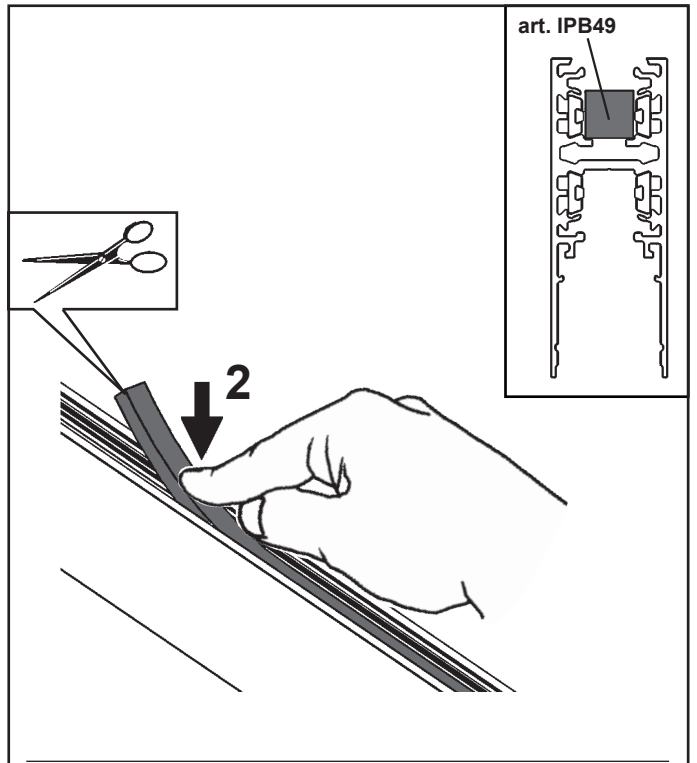
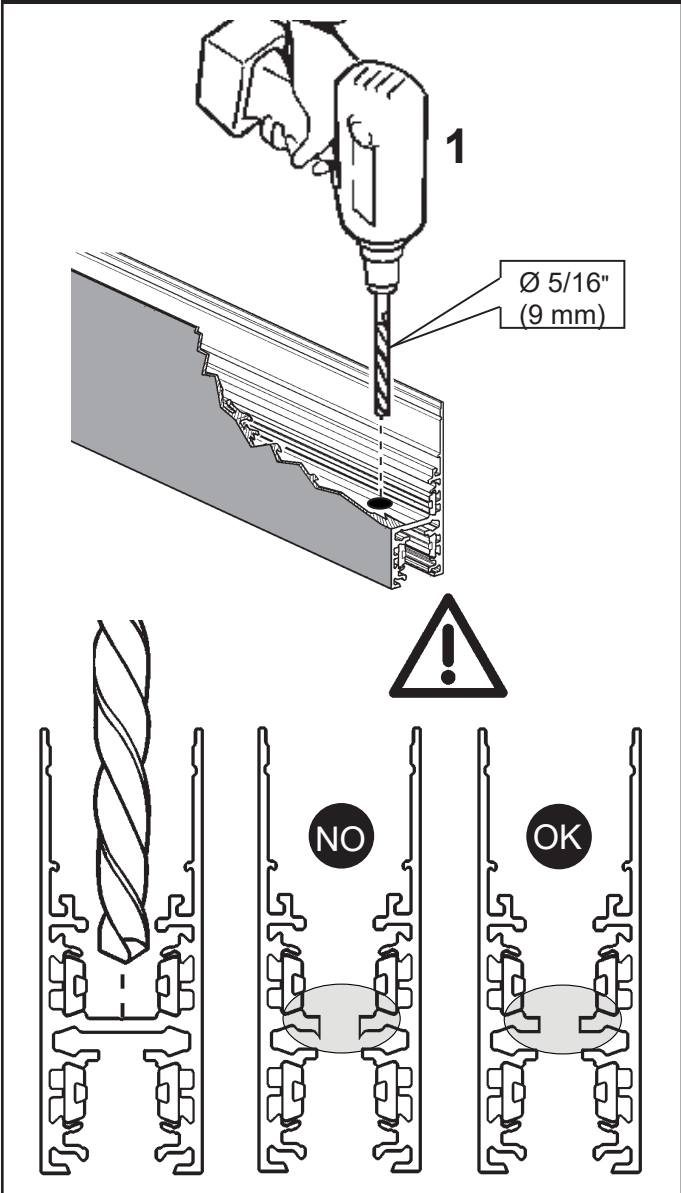


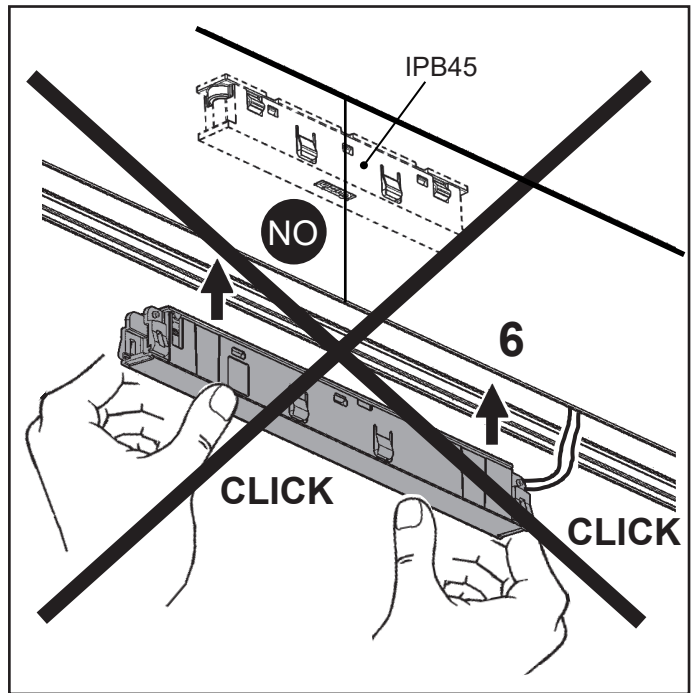
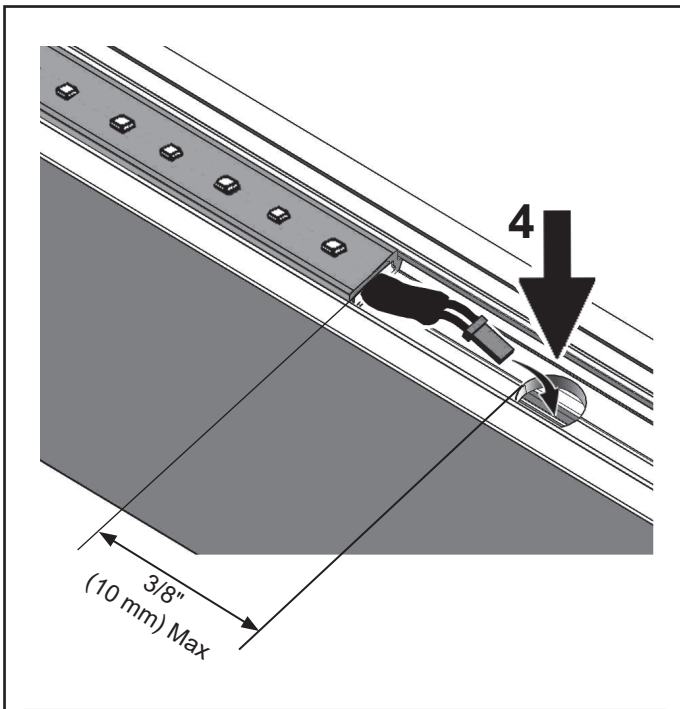
LEDSTRIP
Superrail Track
Up/Down



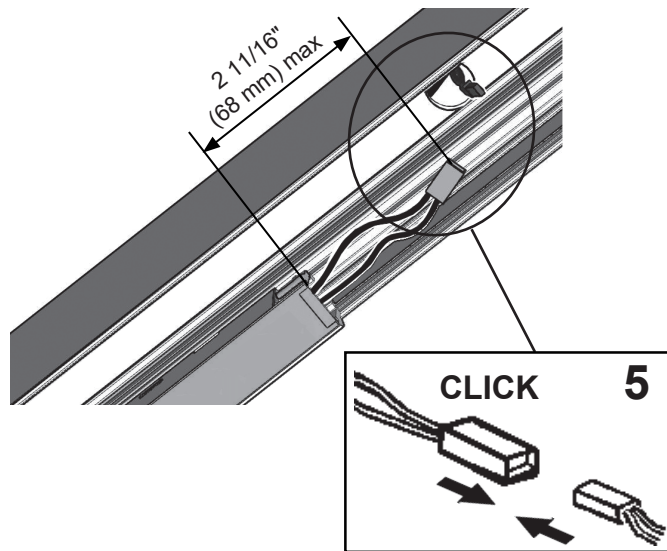


LEDSTRIP
Superrail Track
Up/Down
continuous row



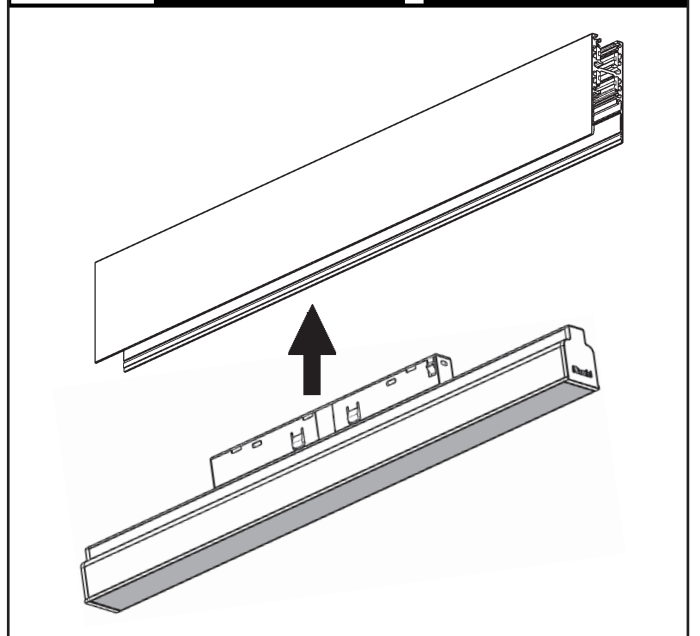
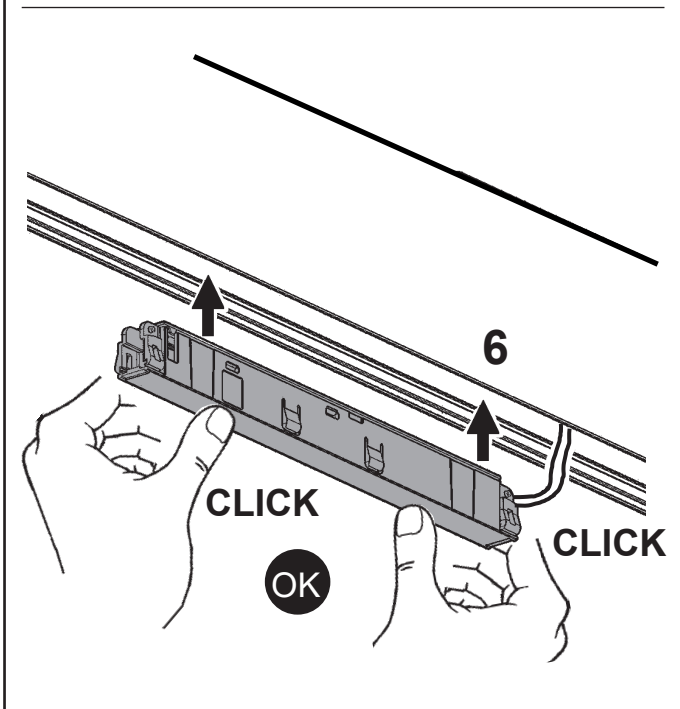


STICK LED WITH BUILT-IN DIFFUSER SCREEN

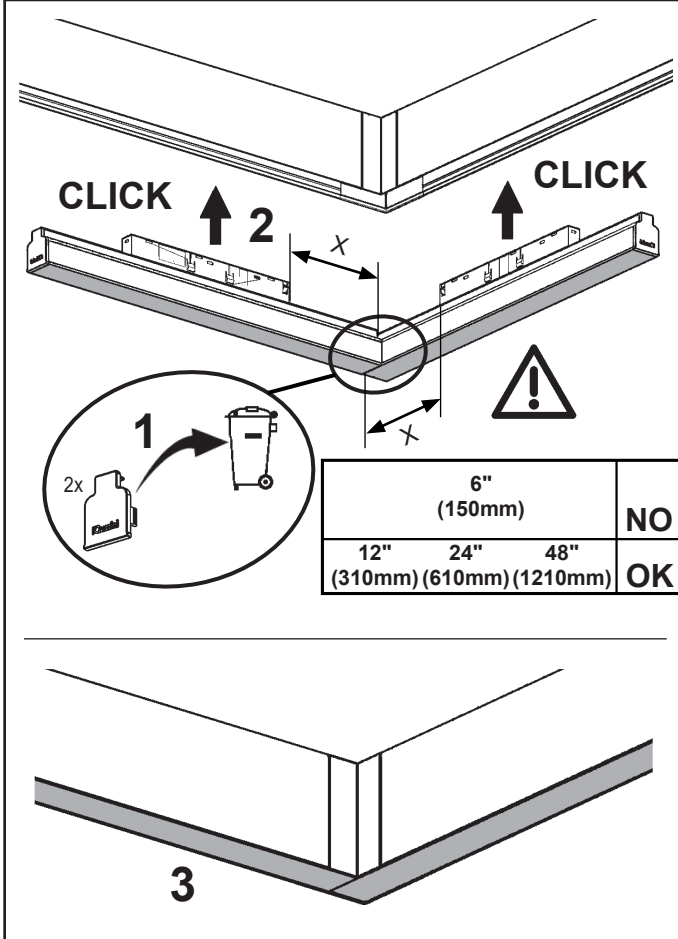


	L=6" (150mm) X= 1/8" (4mm) Y= 1/8" (4mm) Z= 5 5/8" (142mm)
	L=12" (310mm) X= 3 1/2" (89mm) Y= 2 11/16" (69mm) Z= 5 5/8" (142mm)

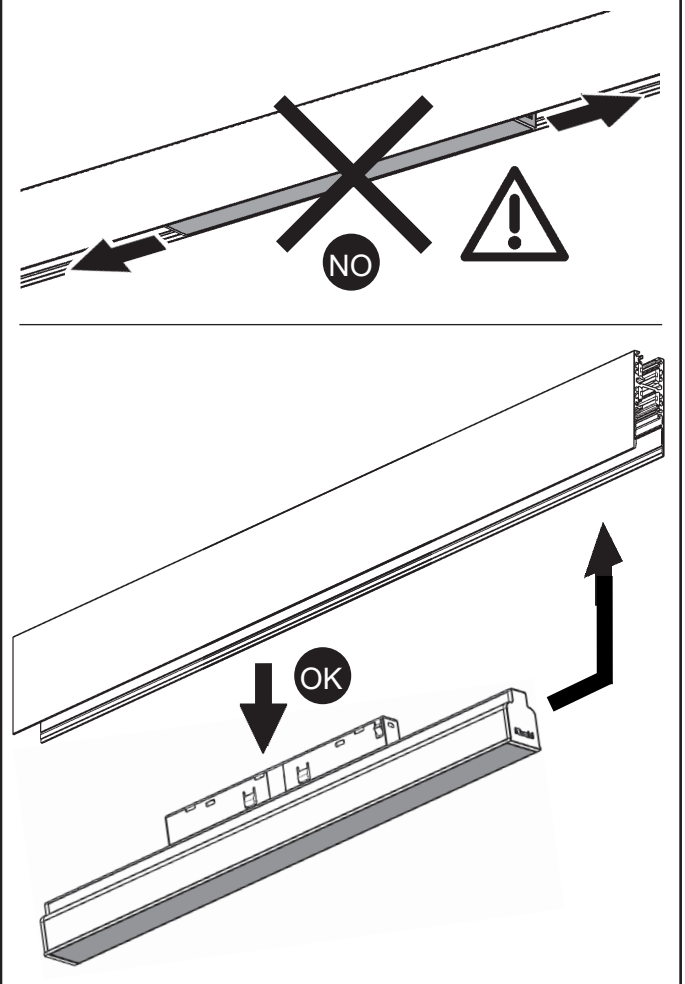
	L=24" (610mm) X= 3 7/16" (87mm) Y= 2 9/16" (65mm) Z= 5 5/8" (142mm)	L=48" (1210mm) X= 3 7/16" (87mm) Y= 2 9/16" (65mm) Z= 5 5/8" (142mm)
--	---	--



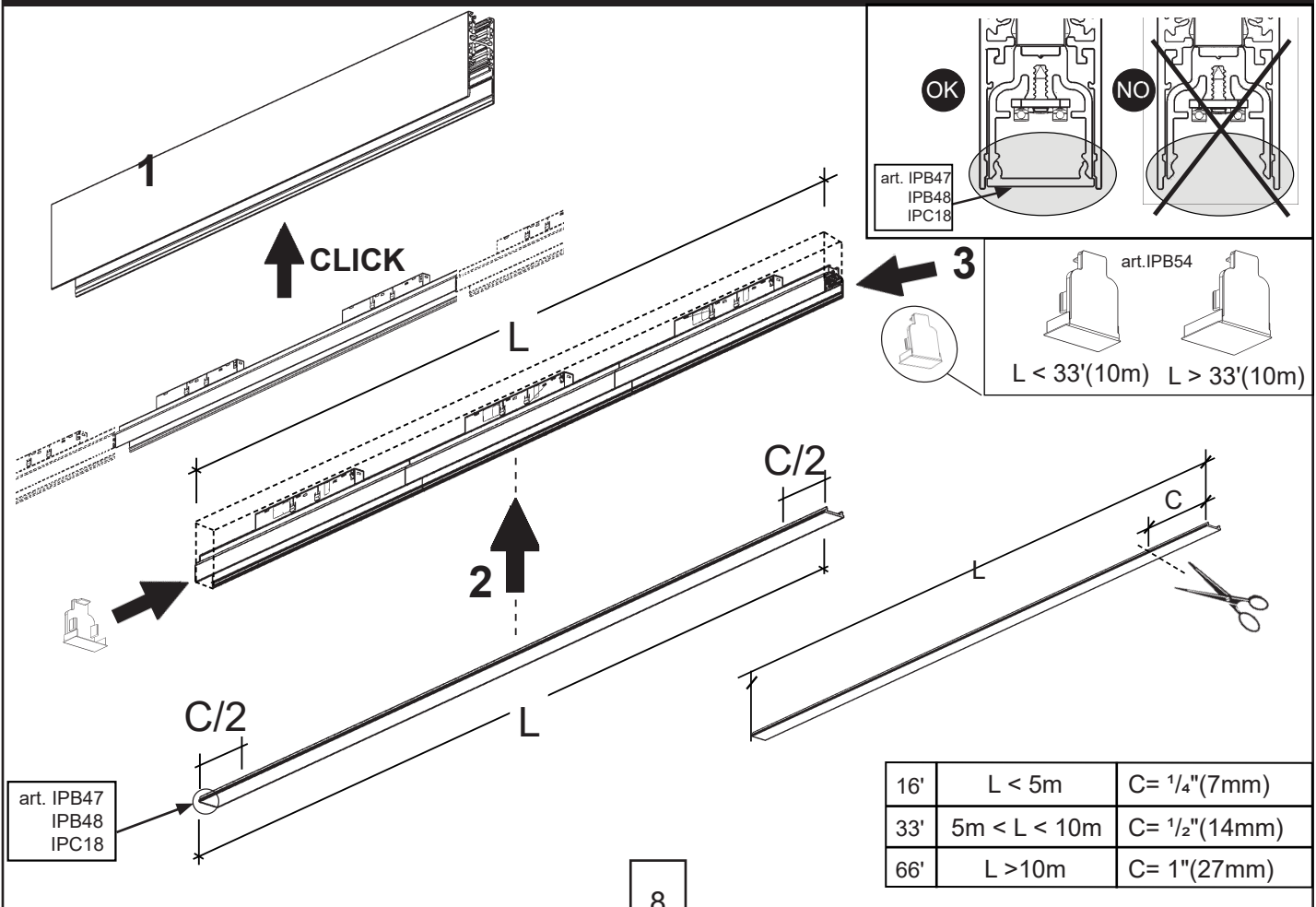
STICK LED FOR ANGULAR JOINT



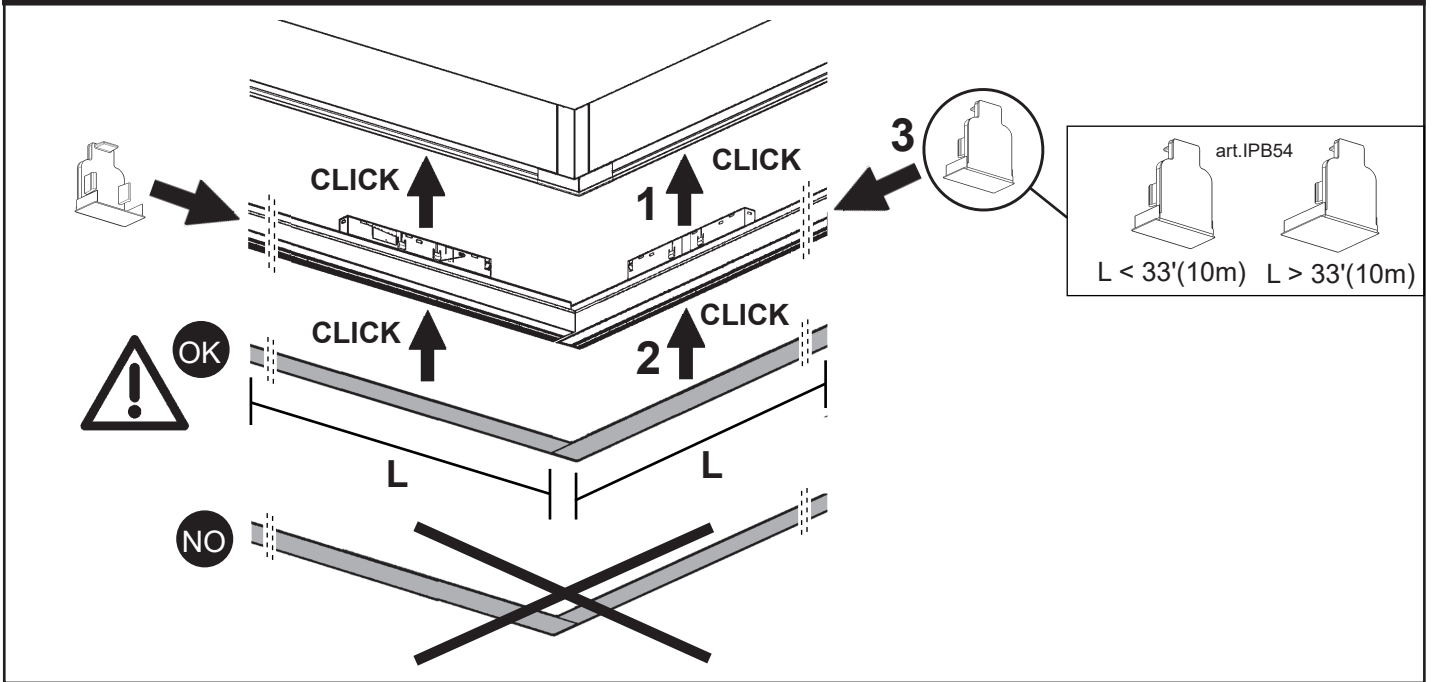
CHANGE POSITION



STICK LED WITHOUT DIFFUSER SCREEN



STICK LED WITHOUT DIFFUSER SCREEN FOR ANGULAR JOINT



IT N.B.: Per la sostituzione del LED contattare l'azienda iGuzzini.

EN N.B.: For information on LED replacement please contact iGuzzini.

FR N.B.: Pour procéder au remplacement de la LED, adressez-vous à la société iGuzzini.

ES NOTA: Para sustituir el LED llame a la empresa iGuzzini.

iGuzzini North America

9320 Boul. St-Laurent
suite 100, Montréal (Québec)
Canada H2N 1N7
P.: 514.523.1337
F.: 514.525.6107
www.iguzzini.com/us
DM - 4.03.2022

Headquarters iGuzzini illuminazione spa
via Mariano Guzzini, 37 - 62019 Recanati Italy