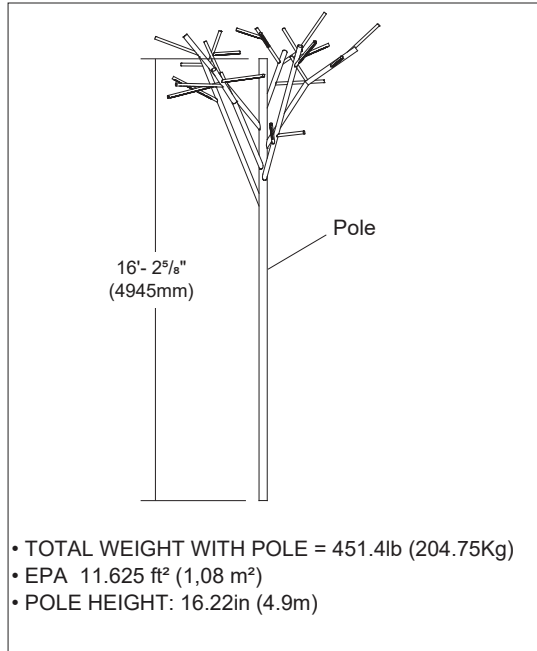
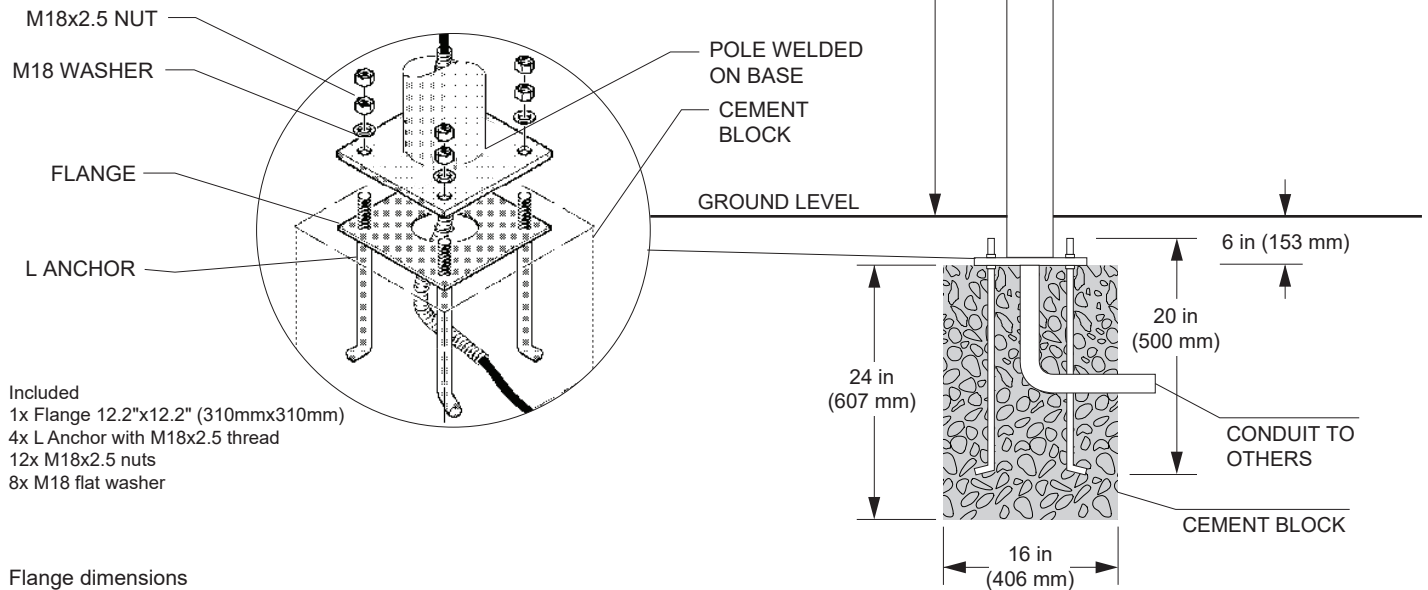


IMPORTANT - READ CAREFULLY BEFORE INSTALLING FIXTURE. RETAIN THESE INSTRUCTIONS FOR FUTURE REFERENCE.
THIS PRODUCT MUST BE INSTALLED IN ACCORDANCE WITH THE NATIONAL ELECTRICAL CODE AND ALL APPLICABLE LOCAL CODES, BY A PERSON FAMILIAR WITH THE CONSTRUCTION AND OPERATION OF THE PRODUCT, AND THE HAZARDS INVOLVED. PROPER GROUNDING IS REQUIRED FOR SAFETY.



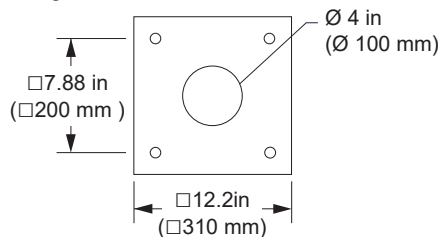
POLE INSTALLATION

- MINIMUM SIZE CEMENT BLOCK 16 x 16 x 24 in (406 x 406 x 607mm)
- FOLLOW LOCAL POLE AND ANCHOR STANDARDS.



- Included
- 1x Flange 12.2"x12.2" (310mmx310mm)
 - 4x L Anchor with M18x2.5 thread
 - 12x M18x2.5 nuts
 - 8x M18 flat washer

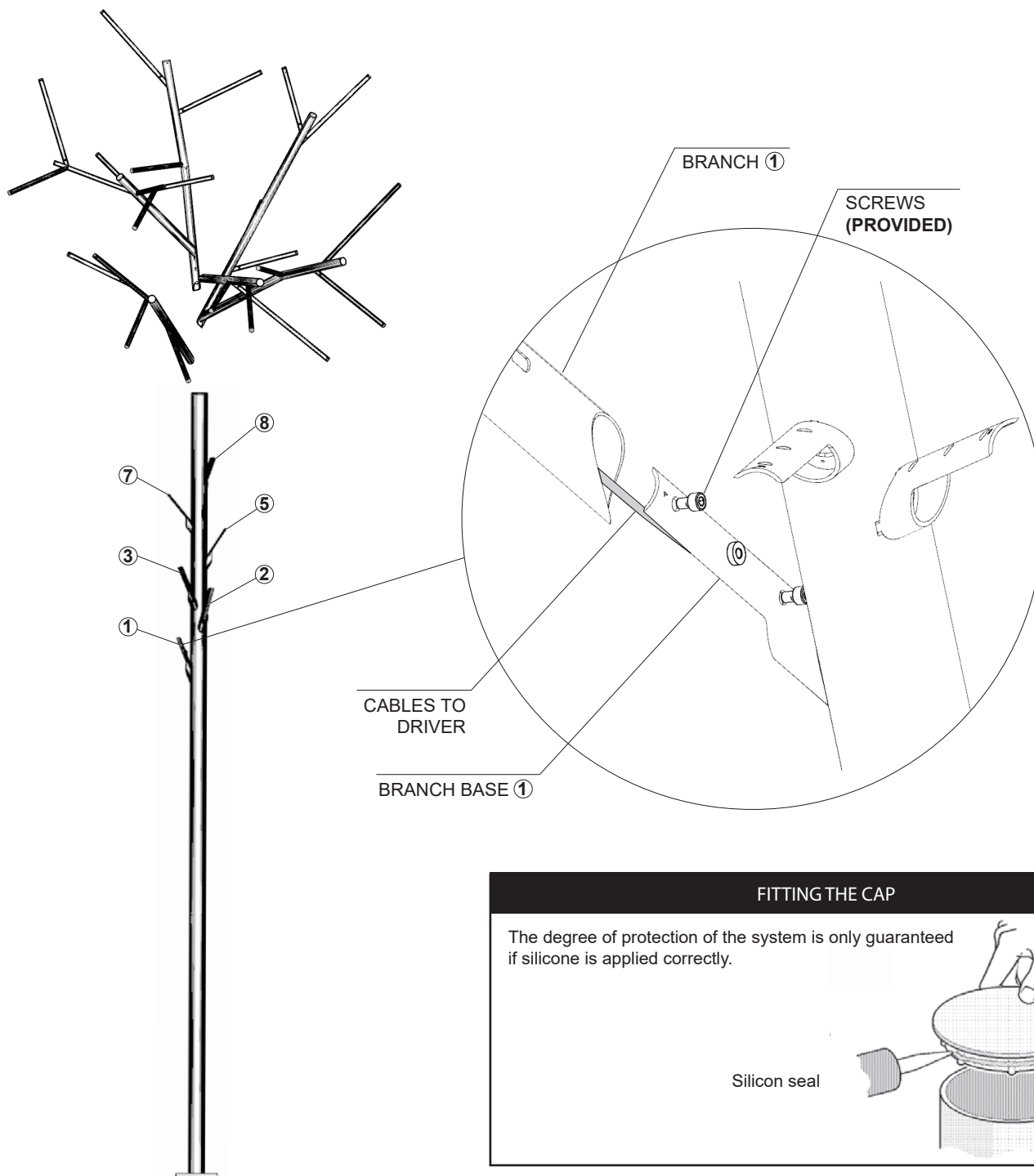
Flange dimensions



STEP 2

BRANCHES INSTALLATION

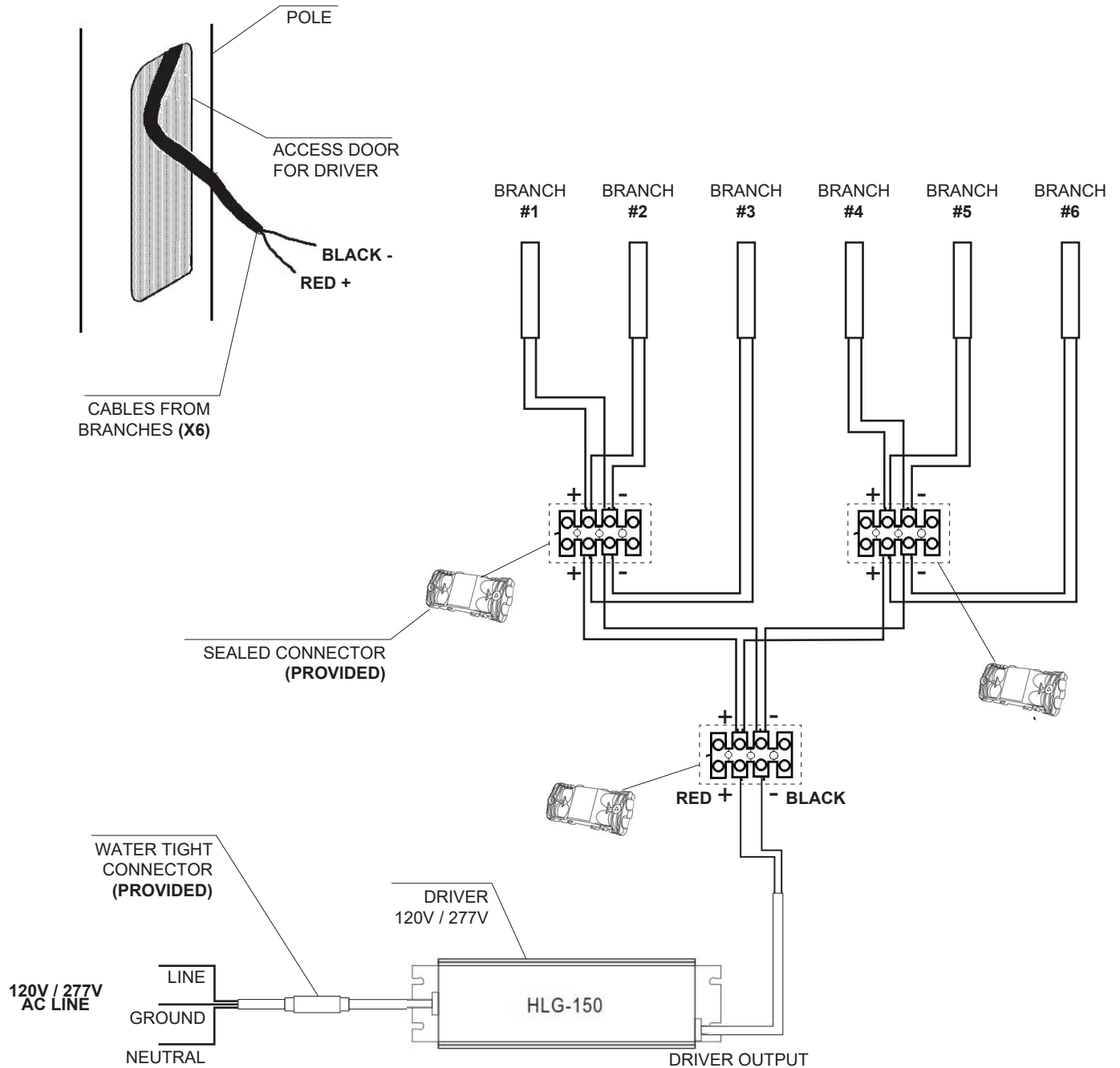
- CAREFULLY PASS CABLES THROUGH THE BRANCH BASE.
- INSTALL BRANCHES MATCHING THE BRANCH NUMBER AS SHOWN.
- SECURE SCREWS WITH ALLEN KEY (**PROVIDED**).



STEP 3

WIRING CONNECTIONS

- MAKE WIRING CONNECTIONS FOLLOWING THE SCHEMATIC THROUGH THE ACCESS DOOR FOR DRIVER. USE SEALED CONNECTORS PROVIDED.



! DISCONNECT MAIN LINE BEFORE CONNECTING SECONDARY CONNECTOR